


Date: 10/02/2025

Corrigendum - 01

Name of Work: EXPRESSION OF INTEREST for “Engagement of Technical Consultant/ Consultancy Firm for preparation of Design, Technical Specifications etc., for the establishment of Calibration Wind Tunnel facility at Mohasa-Babai Industrial Area, District- Narmadapuram, Madhya Pradesh” published on 28.01.2025.

With reference to the above EOI The key dates are revised as follows:

Sno	Particulars	Previous dates	Revised Dates
1	Last date of EOI submission	10.02.2025	17.02.2025



Chief Engineer



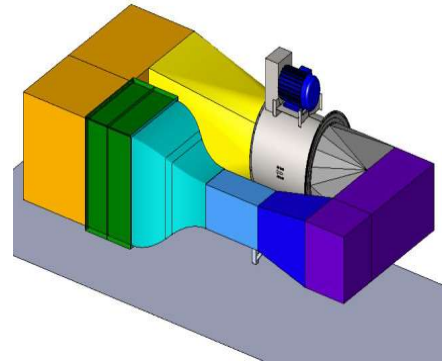
GOVERNMENT of MADHYA PRADESH

LAST DATE EXTENDED BY 17 Feb' 25

invites

EXPRESSION OF INTEREST

Engagement of Technical Consultant/ Consultancy Firm for preparation of Design, Technical Specifications etc., for the establishment of Calibration Wind Tunnel facility at Mohasa-Babai Industrial Area, District- Narmadapuram, Madhya Pradesh



The Ministry of New and Renewable Energy and Ministry of Power, Government of India are jointly establishing an Exclusive Manufacturing Zone for power and renewable energy equipment in Mohasa Babai Industrial Area, District-Narmadapuram, Madhya Pradesh through Madhya Pradesh Industrial Development Corporation Limited (MPIDC), Government of M.P.

Madhya Pradesh Industrial Development Corporation Ltd. (MPIDC), a Government of Madhya Pradesh Undertaking, invites **Expressions of Interest (Eoi)** from reputed and qualified technical consultant/ consultancy firms for the preparation of design, technical specifications, tender documents etc., including but not limited to other necessary support needed such as cost estimates for the establishment of a new calibration wind tunnel facility in accordance with IEC 61400-12-1, MEASNET and IECRE OD requirements at Mohasa-Babai Industrial Area, District Narmadapuram, Madhya Pradesh

Detailed Expression of Interest (Eoi) document can be downloaded from: invest.mp.gov.in

Any queries can be submitted at: techcell@mpidc.co.in by 04.02.25.

Consultant/Consultancy firm is requested to submit Eoi at techcell@mpidc.co.in by 10.02.25

Ref. No.:

Date:

EXPRESSION OF INTEREST (EoI)

Engagement of Technical Consultant/ Consultancy Firm for preparation of design, technical specifications etc. for the establishment of a Calibration Wind Tunnel facility

Madhya Pradesh Industrial Development Corporation Ltd. (MPIDC), a Government of Madhya Pradesh Undertaking, invites Expressions of Interest (EoI) from reputed and qualified technical consultant/ consultancy firms for preparation of design, technical specifications, tender documents etc., including but not limited to other necessary support needed such as cost estimates for the establishment of a new calibration wind tunnel facility in accordance with IEC 61400-12-1, MEASNET and IECRE OD requirements at Mohasa-Babai Industrial Area, district Narmadapuram, Madhya Pradesh.

1. Background

Ministry of New and Renewable Energy and Ministry of Power, Government of India are jointly establishing an exclusive Manufacturing Zone for Power and Renewable Energy equipment in Mohasa Babai Industrial Area, District Narmadapuram, Madhya Pradesh by providing state of the art common infrastructure facilities and common Testing facilities (solar, wind and power equipment) through Madhya Pradesh Industrial Development Corporation Limited (MPIDC). As part of this initiative, it is envisaged to establish a calibration Wind Tunnel facility for the calibration of cup anemometers and wind vanes in accordance with IEC 61400-12-1 and IECRE OD requirements.

MPIDC invites Expressions of Interest (EoI) from suitably experienced and capable Technical consultant/ consultancy firms to provide comprehensive consultancy services. The primary objective of the consultant / consultancy firms is to provide specialized expertise and technical support to MPIDC for preparing detailed technical specification including design of the civil construction requirements for establishing calibration wind tunnel facility, technical specifications and design of the calibration wind tunnel ensuring its alignment with best practices and global standards such as IEC 61400-12-1, MEASNET, and IECRE tailored to the project's unique requirements. This includes facilitating the tender process by developing accurate and comprehensive tender/ RFP documents, addressing technical queries, and evaluating bids to ensure the selection of optimal solutions. Additionally, the consultant will support the project team in ensuring seamless execution and alignment with the project's technical and operational objectives, contributing to the successful delivery of a high-quality calibration wind tunnel facility including any testing (pre/ post dispatch) and supervision for commissioning of equipment and inspection.

2. Scope of Services

The technical consultant/ Consultancy Firm shall be responsible for the following key activities:

a. Preparation of Detailed Technical Specifications for Civil Construction

- Provide support for overall planning of infrastructure needed for Calibration Wind Tunnel facility including plant & machinery.
- Prepare overall civil engineering layout and foundation requirements, functional requirement including electrical requirements, detailed technical specifications of Civil Structure (building) of the laboratory needed for the proposed wind tunnel facility's requirements, utilizing the provided dimensions of the land.
- Establish design guidelines, standards, and best practices to be follow during construction.

b. Preparation of Detailed Technical Specifications for the Calibration Wind Tunnel

- Preparation of Design and Technical Specifications, cost estimates etc. for the establishment of Calibration Wind Tunnel Facility.
- Prepare comprehensive technical specifications for the calibration wind tunnel adhering to standards such as IEC 61400-12-1, MEASNET, and IECRE OD requirements.
- Address specifications for aerodynamic, mechanical, electrical, control systems, and power requirements.
- Provide recommendations for best practices and cutting-edge technologies to be implement in the project.

c. Assistance in Tender Document Preparation

- Prepare a thorough and comprehensive tender/ RFP/ EoI documents, ensuring all technical requirements are clearly articulated.
- Align the tender document with the project's goals and objectives, making it comprehensive and transparent.

d. Responding to Technical Queries during the Tender Process

- Provide accurate and timely responses to technical queries raised by potential bidders during the tender process and its preparation.
- Ensure all responses comply with the established project specifications and international standards.

e. Assistance in Evaluating Technical Bids and procurement activities

- Offer expert analysis and evaluation of the technical bids submitted by prospective bidders.
- Provide recommendations based on a detailed assessment of each bid's technical merits, ensuring alignment with project goals and standards.

- Assistance in preparing the Work Order, Agreement, Terms & Conditions (Scope of Work, deliverables, timelines, warranty, guarantee) etc. for the procurement as per prevailing Govt. norms)

f. Evaluation of the Equipment including Testing and Commissioning of Calibration Wind Tunnel

- Evaluation of supplied equipment for the calibration wind tunnel facility, during pre/post installation of the equipment.
- Supervision of Commissioning of Equipment infrastructure and further support needed till handing over of the assets to the concerned Agency/Department.

The Technical Consultant shall provide expert recommendations for midcourse corrections, system improvements, and resource optimization to ensure the successful implementation of the wind tunnel facility with its intended objectives. The Consultant/ Consultancy Firms shall also assist MPIDC in following:-

- **Statutory Clearances:** The Consultant shall assist in obtaining all necessary statutory clearances and approvals from relevant authorities such as Environmental clearances from the relevant Pollution Control Board, Building permits and other necessary approvals from the authorities for carrying out scope of services.
- **Customs Approval/Clearances:** The Consultant shall assist on customs procedures, import duties, and other relevant regulations for the import of equipment and materials for the calibration wind tunnel facility and also required to assist in the preparation of import documentation and liaise with customs authorities as required.
- **Pollution Control Clearance:** The Consultant shall assist in obtaining the necessary environmental clearances from the relevant State Pollution Control Board.
This may include:
 - Conducting an environmental impact assessment (EIA) or environmental impact statement (EIS) as required.
 - Preparing an environmental management plan (EMP) to mitigate any potential environmental impacts.
 - Ensuring compliance with all applicable environmental regulations and standards.

General Terms and Conditions:

- **Confidentiality:** The Consultant shall maintain the strictest confidentiality regarding all information obtained during the course of the project, including confidential information, project documents, and any other sensitive data.
- **Liability:** The Consultant shall be liable for any negligence or errors in their work that result in delays, cost overruns, or damage.
- **Insurance:** The Consultant shall maintain professional indemnity insurance and public liability insurance with adequate coverage for the duration of the project.
- **Dispute Resolution:** Any disputes arising from this agreement shall be resolved through amicable negotiations. If negotiations fail, the matter shall be referred to arbitration in accordance with the applicable rules of arbitration. The decision of MD MPIDC shall be treated as final

3. Eligibility for participation

Prospective bidders must demonstrate:

- Experience in providing the consultancy service in
 - The preparation & evaluation of the tender document for the design, construction, supply, installation and commissioning of any test / calibration system having value of more than 5 Crores (The value of the test /calibration system only will be considered).
 - However, preference will be given to Consultant/ Consultancy Firms who have earlier experience in handling tender for calibration wind tunnels for calibration of cup anemometers and wind vanes in accordance with IEC 61400-12-1 / IECRE OD/ MEASNET.
- Familiarity with relevant international standards on calibration wind tunnel facility such as IEC 61400-12-1, MEASNET, and IECRE.
- Capable to provide a professional and independent assessment of the proposed calibration wind tunnel project. This includes evaluating the technical specifications, design feasibility, and compliance with international standards, as well as reviewing the financial and physical progress of the project.
- Proven track record in executing similar turnkey projects, including design, supply, installation, and commissioning.
- A multidisciplinary team with expertise in civil engineering, aerodynamics, electrical systems, and project management.

4. Methods of Implementation

- a) Screening of EOIs shall be carried out as per eligibility conditions mentioned at clause 3 of this document.
- b) The bidder shall make a presentation about the experience and expertise in the establishment of any test / calibration system including Wind Tunnel facility for the calibration of cup anemometers and wind vanes will be preferred. The Date, Time, and Venue of the EOI meeting will be communicated after evaluation of the EOI document. The presentation shall cover the following:-
- c) Name of the consultant/ consultancy firm, who will be participating in Eoi and Tender.
- d) Approach & methodology for addressing the scope of work, including steps for preparing technical specifications, tender documents, and technical bid evaluations.
- e) Innovative and practical approaches for ensuring compliance with international standards and incorporating best practices.
- f) Clear timelines, milestones, and deliverables aligned with the project schedule.
- g) Mechanisms for addressing potential challenges, risks, and midcourse corrections during the project.
- h) Proposed Team Structure to execute the assignment
- i) Relevant Experience & Past Experience
- j) Financial capability
- k) Entities, who will participate in this Eoi, shall only be eligible to participate in the following RFP/ Tender process for engagement of Technical Consultant.

5. Response

The Interested Bidders shall submit their EOI proposal (in a sealed cover) super scribing "Engagement of Technical Consultant/ Consultancy Firm for preparation of design, technical specifications etc., for the establishment of a Calibration Wind Tunnel Facility at Mohasa Babai Industrial Area, Narmadapuram, Madhya Pradesh. by 10th February, 2025 in the prescribed format as per the annexures enclosed at Annexures to MPIDC at the following address:

Chief Engineer
Madhya Pradesh Industrial Development Corporation (MPIDC)
21-A Areara Hills, Bhopal ,Madhya Pradesh

EOI Proposal submitted shall have clear methodology of carrying out the tasks, experts involved from their company / collaborator, types of deliverables, list of input parameters needed. Also, the methodology needs to be aligned with milestones mentioned under clause on Time Schedule.

6. Conflict of Interest

- As per clause 4.5.1 (iv) of "Manual for Procurement of Works (Updated June 2022)", *A firm that has been engaged by Ministry/ Department to provide consultancy services for the preparation or implementation of a project, and any of its affiliates (associates, subsidiary, JV partner), shall not be eligible for subsequently providing goods or works (other than a continuation of the firm's earlier consultancy services) for the same project.* Hence, the bidders are requested to take note of this requirement.
- Where there is any indication that a conflict of interest exists or may arise, it shall be the responsibility of the Bidder to inform MPIDC, detailing the conflict in writing as an attachment to this Bid.
- MPIDC will be the final arbiter in cases of potential conflicts of interest. Failure to notify MPIDC of any potential conflict of interest will invalidate any verbal or written agreement.
- A Conflict of Interest is where a person who is involved in the procurement has or may be perceived to have a personal interest in ensuring that a particular Bidder is successful. Actual and potential conflicts of interest must be declared by a person involved in a Bid process.

7. Condition under which EOI is issued

The EOI is not an offer and is issued with no commitment. MPIDC reserves the right to withdraw EOI and or vary any part thereof at any stage. MPIDC further reserves the right to disqualify any bidder, should it be so necessary at any stage.

8. Timeline

The selected consultant/ consultancy firm shall complete the awarded work as per the following timelines:-

S. No	Activity	Timeline
1	Preparation of Comprehensive civil construction specifications	15 days from the date of award of the contract
2	Detailed technical specifications for the calibration wind tunnel	20 days from the date of award of the contract
3	A ready to float complete tender document	30 days from the date of award of the contract
4	Written responses to all technical queries during the tender process	5 days from the date of receipt of technical queries
5	Evaluation reports and recommendations for technical & Financial bids, negotiations, if required.	10 days from the date of opening of the technical/ financial bids
6	Assistance in preparing the Work Order, Agreement, Terms & Conditions (Scope of Work, deliverables, timelines, warranty, guarantee) etc. for the procurement as per prevailing Govt. norms)	10 days after selection of successful Bidder/ Work Order

9. Reporting and Communication

The consultant will work in close coordination with the MPIDC project team and provide regular updates on progress, deliverables, and any challenges encountered.

10. Confidentiality

All information shared during the course of the project shall be treated as confidential and used exclusively for the purpose of the consultancy assignment.

11. Last date of submission of EOI:

The last date of submission of EOI along with enclosures completed in all respect is 10th February, 2025.

The Eoi document shall not be considered if it is received after the due date.

12. Contact Information

- 1) For further details or inquiries regarding this EoI, please contact: techcell@mpidc.co.in

MPIDC reserves the right to shortlist potential bidders based on the submitted Eois.

[authorized signatory of MPIDC]

COVER LETTER

On Company Letterhead

Date:

To:

Chief Engineer

Madhya Pradesh Industrial Development Corporation (MPIDC)

21-A Areara Hills, Bhopal ,MP

Subject: Submission of EOI for Consultancy Services for the establishment of a Calibration Wind Tunnel

Dear [Insert Name],

We, [Insert Company Name], hereby express our interest in providing comprehensive consultancy services for the preparation of design, technical specifications, tender documents etc., including but not limited to other necessary support needed such as cost estimates for the establishment of a new calibration wind tunnel facility in accordance with IEC 61400-12-1, MEASNET and IECRE OD requirements at Mohasa-Babai Industrial Area, district Narmadapuram, Madhya Pradesh.

We have reviewed the EOI document thoroughly and confirm our understanding of the requirements, including the scope of work, deliverables, and submission guidelines. We are confident in our ability to meet the expectations of this project, given our extensive expertise and experience in similar assignments.

Enclosed are the necessary documents as per the submission requirements, including details of our qualifications, relevant project experience etc.

We look forward to the opportunity to collaborate with MPIDC on this significant project and are committed to delivering high-quality services in alignment with the project's objectives.

Thank you for considering our submission. Should you require any additional information or clarification, please do not hesitate to contact us.

Sincerely,

[Signature of Authorized Person along with company seal]

[Name]

[Designation]

[Company Name]

[Company Address]

[Email]

[Phone Number]

On Company Letterhead

Format – Organizational Contact Details

S. No	Organizational Contact Details	
1	Name of Organization	
2	Main Areas of Business	
3	Type of Organization (Firm/Company/Partnership entity registered under applicable laws in the home country or under the Indian Companies Act, 2013/Partnership Act, 1932, if applicable)	
4	Whether the firm has been blacklisted by Govt. agencies If yes, provide details thereof.	
5	Address of Registered Office with Telephone No. & Fax	
6	Contact Person with Telephone No. & E-mail ID	

Enclosures:

1. Undertaking/self-declaration in respect of 4 above, signed by an authorized representative.

Sincerely,

[Signature of Authorized Person along with company seal]

[Name]

[Designation]

[Company Name]

[Company Address]

[Email]

[Phone Number]

On Company Letterhead

Format – Experience in Related Fields

Overview of the Past Experience of the Organization

S. No	Items	Number of Assignments During Last 5 Years	Order Value of Each Assignment (In Lakhs of Rs. or Equivalent)	Name of Client/Organization
1	Experience of Assignments of Similar Nature			

Sincerely,

[Signature of Authorized Person along with company seal]

[Name]

[Designation]

[Company Name]

[Company Address]

[Email]

[Phone Number]

On Company Letterhead

List of experts/consultants on payroll (at least 5)

S.No.	Name	Designation	Qualification	Relevant Experience
1.				
2.				
3.				
4.				
5.				
6.				

Sincerely,

[Signature of Authorized Person along with company seal]

[Name]

[Designation]

[Company Name]

[Company Address]

[Email]

[Phone Number]

On Company Letterhead

Declaration

We hereby confirm that we are interested in competing for the Consultancy Services to undertake the tasks related to the **Engagement of Technical Consultant/ Consultancy Firm for preparation of design, technical specifications etc., for the establishment of a Calibration Wind Tunnel facility.**

All the information provided herewith is genuine and accurate to the best of our knowledge.

Sincerely,

[Signature of Authorized Person along with company seal]

[Name]

[Designation]

[Company Name]

[Company Address]

[Email]

[Phone Number]